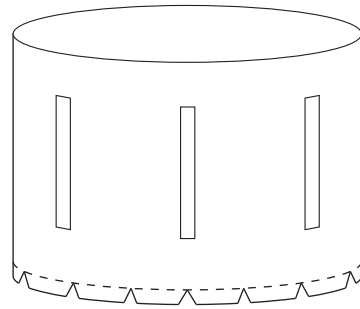


# Shadow Magic

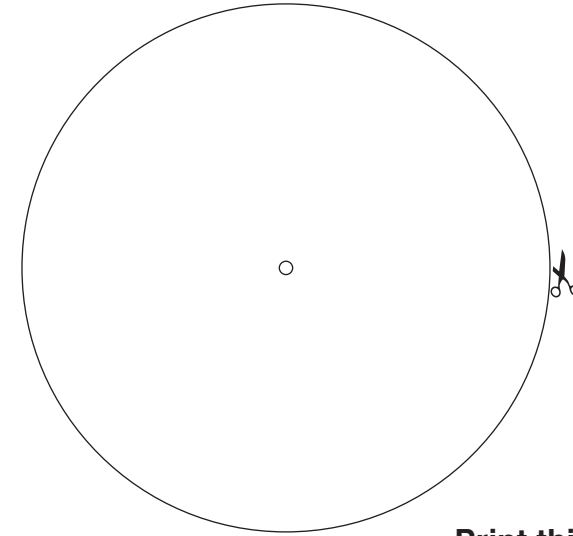
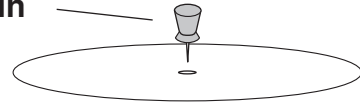
Make Your Own Zoetrope

SONY PICTURES CLASSICS



Tape or glue tabs to underside of disc

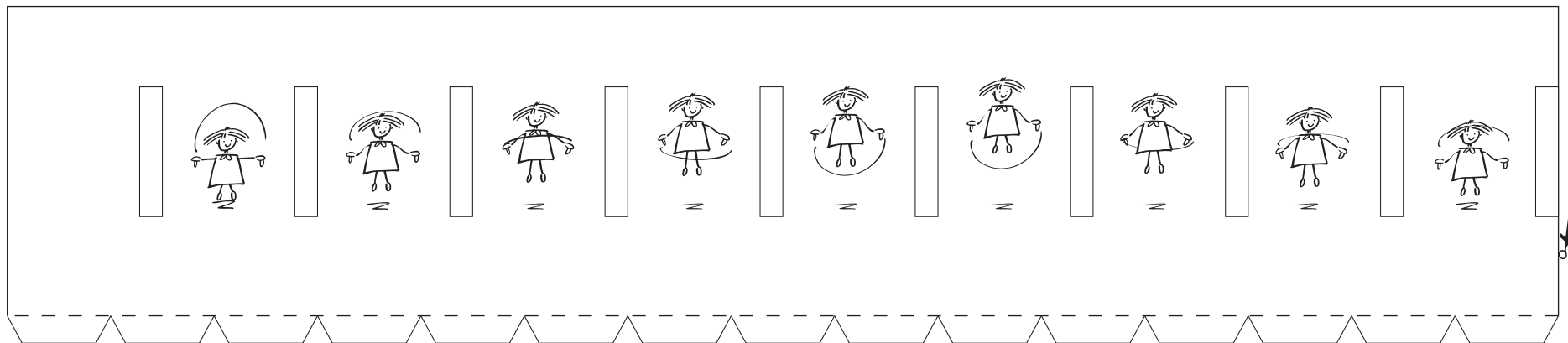
Pushpin



Print this page at magnification for larger zoetrope (you may need a bigger pencil)

Tape edge A behind edge B

Use heavy construction paper



Cut out slots

Edge A

Fold along dotted line

Edge B